

Accessories |

S-USI · Hydro Control · S-Vent · S-ESAM · S-Air 1 · S-AirBox

Accessories for clever integration.

S-USI

Spartherm negative pressure switching interface

See next page for more details



When ventilation systems and fireplaces are used at the same time it can happen that dangerous flue gases enter the room with the fireplace. Our S-USI monitors your safety continuously in line with our motto:

Simple, intelligent and comfortable heating.

- PROBLEM

- Dangerous negative pressure causes flue gas to enter the room in which the stove is set up
- The safety risk cannot be calculated
- Malfunction of the apartment ventilation system

+ SOLUTION

- + Automatic monitoring of ambient conditions
- + Automatic turning off of ventilation systems if a malfunction occurs

+ YOUR BENEFITS

- + Safety due to the parallel operation of ventilation systems and fireplaces
- + Confidence in automatic function
- + Safety DIBt-tested and approved by the competent building authorities

Our clever accessories can be integrated extremely well and take care of

- Reliable safety in operation
- Comfortable operation
- Eye-catcher
- Environmentally compatible heating



S-USI scope of supply

- S-USI (incl. fasteners)
- Silicone tube
- Angle measuring adapter
- Tubular pressure gauge
- Temperature sensor with installation kit

S-USI

Spartherm negative pressure switching interface.

S-USI is a safety monitoring device where malfunctions are possible during the parallel operation of ventilation systems and room air sealed fireplaces. The S-USI does not perform a regulating function, it is a safety module. **S-USI safety is DIBt-tested and approved by the competent building authorities (Z85. 1-12).**

In appropriate situations when the ventilation system fails, S-USI prevents the escape of dangerous volumes of flue gas in the room in which the stove is installed. The negative pressure in the connecting tube to the chimney in relation to the ambient space (=room in which installed, or combined air) is monitored constantly while the stove is in use.

If the fireplace is out of use, S-USI remains disabled. A tested flue gas thermostat generates the start signal for wood log fired stoves. This device must only be used in combination with fireplaces approved by Spartherm. S-USI cannot be used for open fireplaces.

Optional: S-USI as flush-mounted solution



RLU approvals

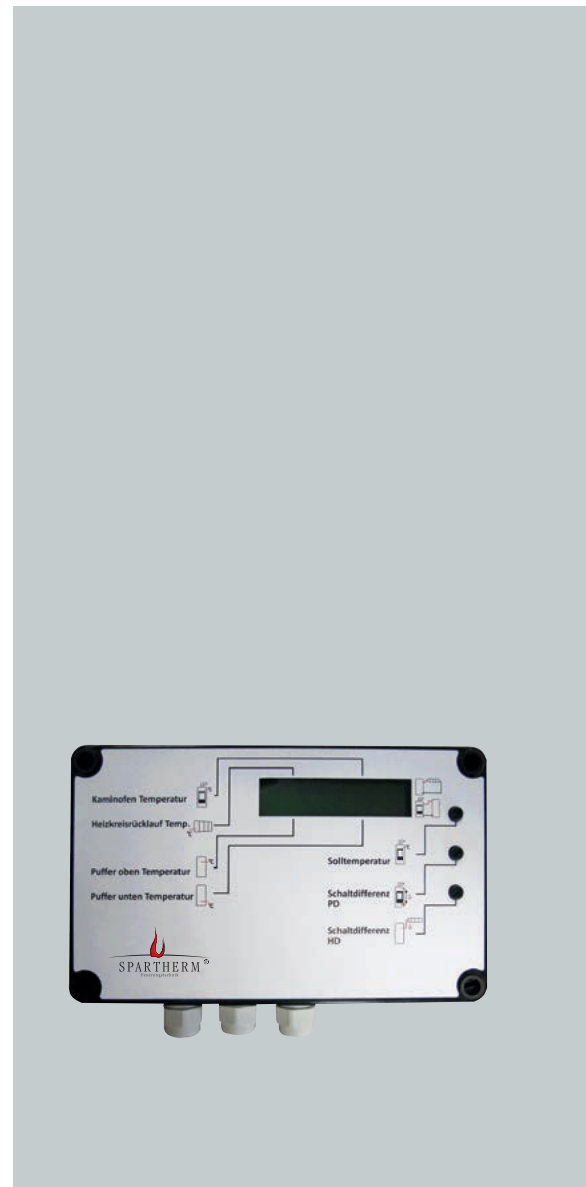
Our room air sealed fireplaces are an additional safety advantage. For an overview of the DIBt-approved models, see the table below.

Fireplaces	Door hinge	DIBt approval No.
Mini S RLU 51-4S	Left	Z-43.12-316
Mini S RLU 51-4S	Right	Z-43.12-316
Mini R1V RLU 51-4S	Left	Z-43.12-316
Mini R1V RLU 51-4S	Right	Z-43.12-316
Mini R1V RLU 57-4S	Left	Z-43.12-316
Mini R1V RLU 57-4S	Right	Z-43.12-316
Mini Z1 RLU 51-4S (7kW)	Left	Z-43.12-316
Mini Z1 RLU 51-4S (7kW)	Right	Z-43.12-316
Mini Z1 RLU 57-4S (7kW)	Left	Z-43.12-316
Mini Z1 RLU 57-41 (7kW)	Right	Z-43.12-316
Varia FD RLU 51-4S	Left	Z-43.12-316
Varia FD RLU 51-4S	Right	Z-43.12-316
Varia 2L RLU 51-4S	Right	Z-43.12-316
Varia 2R RLU 51-4S	Left	Z-43.12-316
Varia 1V S RLU 51-4S	Left	Z-43.12-316
Varia 1V S RLU 51-4S	Right	Z-43.12-316
Varia 1V XL H ₂ O RLU 51-4S	Right	Z-43.11-322
Varia 1V XL H ₂ O RLU 51-4S	Left	Z-43.11-322
Varia 1V XXL H ₂ O RLU 51-4S	Right	Z-43.11-322
Varia 1V XXL H ₂ O RLU 51-4S	Left	Z-43.11-322
Varia 1V XS H ₂ O RLU 51-4S	Right	Z-43.11-322
Varia 1V XS H ₂ O RLU 51-4S	Left	Z-43.11-322
Mini Z1 RLU 51 H ₂ O-4S	Left	Z-43.11-322
Mini Z1 RLU 51 H ₂ O-4S	Right	Z-43.11-322
Mini Z1 RLU 51 H ₂ O XL-4S	Left	Z-43.11-322
Mini Z1 RLU 51 H ₂ O XL-4S	Right	Z-43.11-322

		DIBt approval No.
Speedy 1V 51-4S	Left	Z-43.12-316
Speedy 1V 51-4S	Right	Z-43.12-316
Speedy 1V 57-4S	Left	Z-43.12-316
Speedy 1V 57-4S	Right	Z-43.12-316
Varia 1V 51-4S	Left	Z-43.12-316
Varia 1V 51-4S	Right	Z-43.12-316
Varia 1V 57-4S	Left	Z-43.12-316
Varia 1V 57-4S	Right	Z-43.12-316
Varia AS-4S-2		Approval application filed
Varia ASFD-4S-2		Approval application filed

Stoves selection	
Senso S RLU	Z-43.12-278
Cubo S RLU	Z-43.12-320
Cubo M RLU	Z-43.12-320
Cubo L RLU	Z-43.12-320
Piko S RLU	Z-32.12-320
Piko M RLU	Z-43.12-320
Piko L RLU	Z-43.12-320

Stoves ambiente	
ambiente a1 / a2 / a3 / a4 RLU	Z-43.12-244
S-KI	Z-43.12-159



Hydro Control

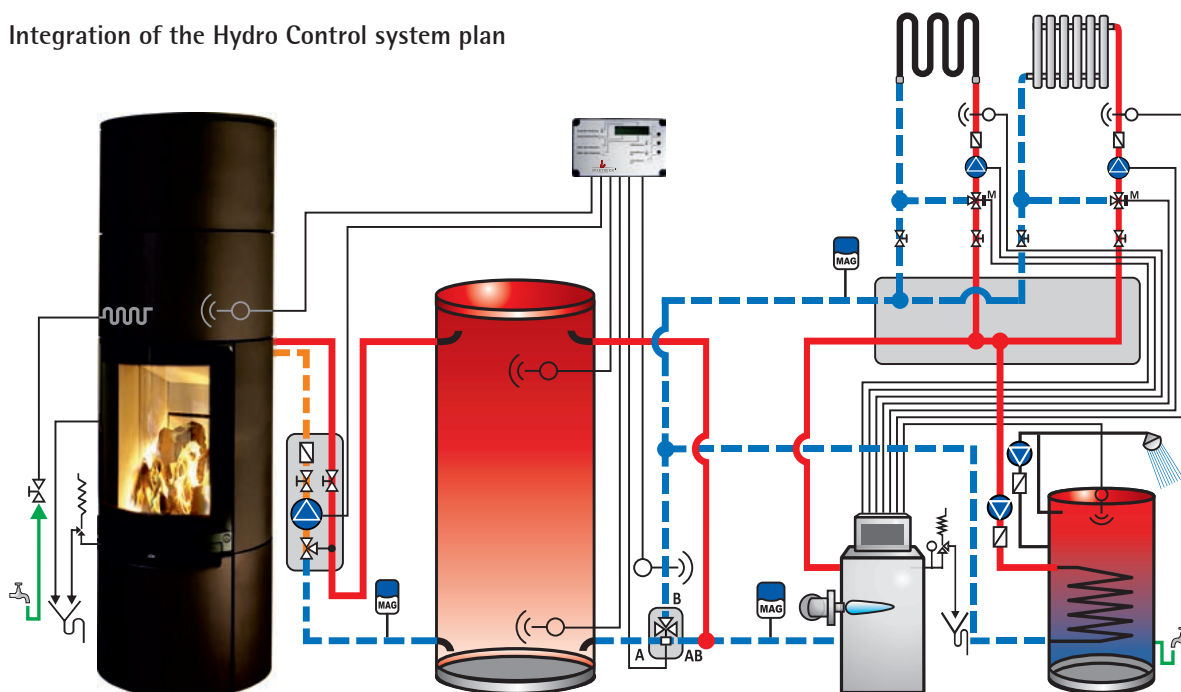
Integration of water-heating fireplaces made easy.

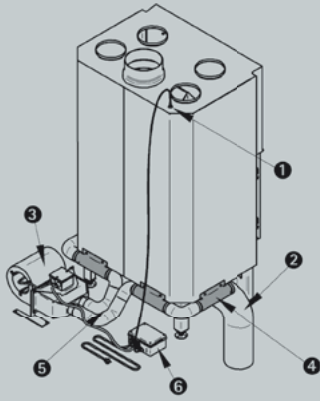
Electronic control for buffer reservoir charging/discharging (bivalent control) for integration of water-heating solid fuel energy producers in hot water heating systems. Controller in surface-mounted box with LC display for temperatures and status.

Benefits

- Simple integration of water-heating solid fuel fireplaces in heating systems
- Ideal for service-fitting/expansion of available heating systems
- High system efficiency – maximum reservoir discharge by permanent temperature compensation between heating circulation system and reservoir
- No intervention with the weather-controlled heating system control necessary

Integration of the Hydro Control system plan





S-Vent scope of supply

- 1 flexible aluminium pipe, 5 m
- 1 control unit, incl. handheld transmitter
- 1 air blower with mounting flange
- 2 locking plates
- 4 Injection tubes
- Screws and clamps

S-Vent

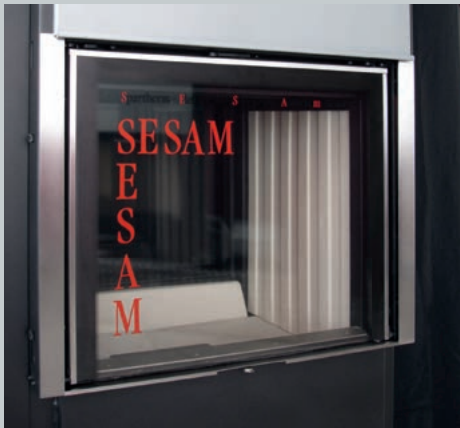
Modular forced convection.

- For use with many Spartherm fireplaces
- Flexible installation depending on the conditions on site
- Forced convection connection and external combustion air supply possible
- Natural convection is maintained because the warm air jacket is open downward
- Improves convection air heating output up to 75%
- Automatic turn-on/turn-off with different blower speeds

Warm air can be transported to several rooms, which improves the output of the warm air heating system.

1 Temperature sensor / 2 Separate combustion air / 3 Blower unit / 4 Injection tube max. 4 tubes / 5 Flexible aluminium pipe / 6 Control unit

Retrofitting is not possible.



S-ESAM scope of supply

- Stove insert with pre-assembled drive
- Control box with plug-in connection lines
- Radio remote control unit
- Operation and installation instructions

S-ESAM

Electric sliding door with mechanical drive for 1Vh serial units.

Automatic window lift, remote control (Open-Stop-Close). An external switch can be connected, interface relay makes integration in BUS technical house equipment possible. Integrated freewheel, the closed window can be opened (lifted) manually at any time.

Retrofitting is not possible.

Our fireplaces and stoves have always complied with strictest national and international standards. Just meeting a standard is not SPARTHERM philosophy. We focus on innovation and offer you future-proof combustion technologies.

S-Airbox

The Spartherm system for clean air.

The S-AirBox filters ultrafine particles from the flue gas. It is set up directly on the stove insert. S-AirBox also provides a reheating surface which improves the efficiency and also the convection air volume.

Benefits

- High degree of separation with compact design
- No intervention with the chimney system
- Simple to clean by the user
- No cost for service contract or chimney sweep
- No removal of filter components
- Very safe operation because Airbox is set up directly on the flue gas collector of the fireplace.

This is what you can expect of your Airbox

- Reduction of ultrafine particulate in flue gas by > 60% for rated heat output up to 22kW
- Manual switchover to filter mode by moving the flue throttle
- Temperature-controlled turn-on/turn-off of the filter
- Visual display of the operating status

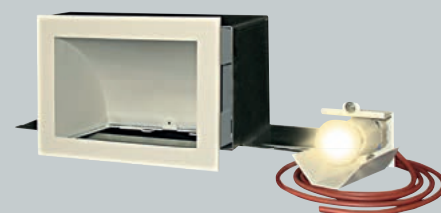
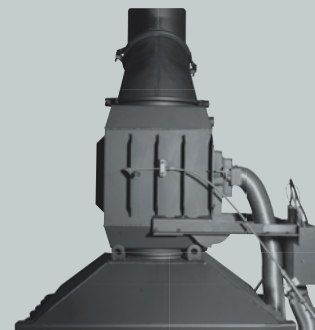
The S-Airbox can be retrofitted.

S-Air 1

Convection air grille design.

- Ventilation grille and lamp in one unit
- Suitable as supply air or recirculating air grille
- Available in three colour finishes (white, graphite, nero) and two sizes (small, medium)
- Attractive heating chamber concept
- Modern design

Optionally available: Illumination set



S-Air 1 scope of supply

- Design grille with splay springs
- Flush mounting frame

Design specifications and design, finish and/or weight data in this booklet can change as design revisions take place.